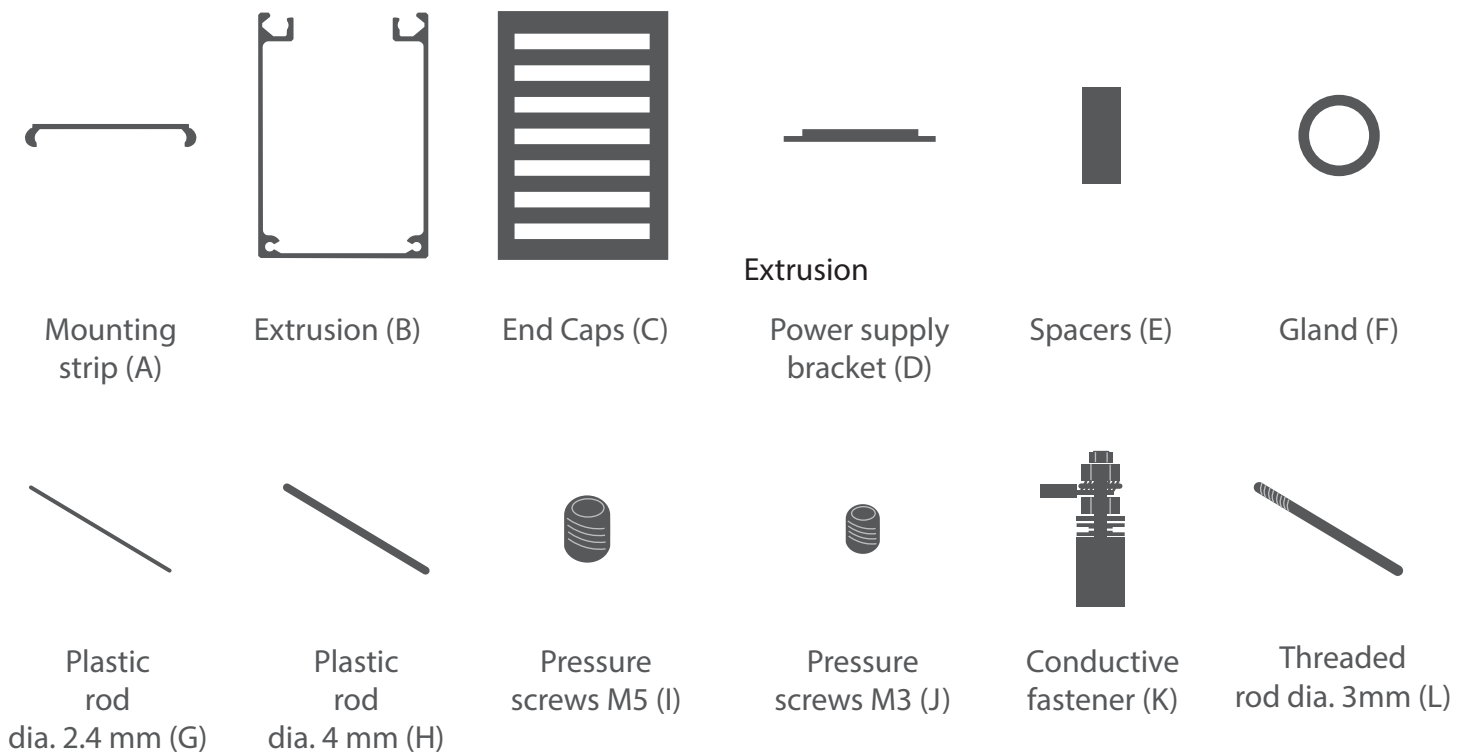


Parts needed to mount the BOX extrusion



Tools needed for mounting:

- drill
- screwdriver
- screws
- hand saw
- Allen wrenches (dia. 3 mm, dia. 5 mm)

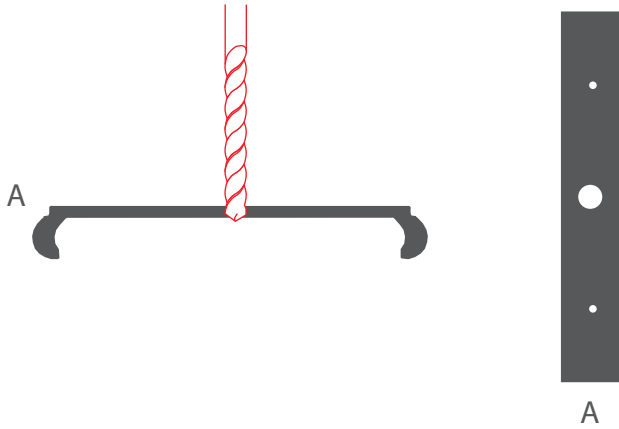
NOTE! All LED strips must be connected to a 12 V or 24 V power supply.

IMPORTANT: The manual presents the simplest mounting procedure.
More mounting procedures and related accessories can be found at klusdesign.eu

1. Drill screw holes in the mounting strip (A) (min. two) and holes for cable glands.

cross-section

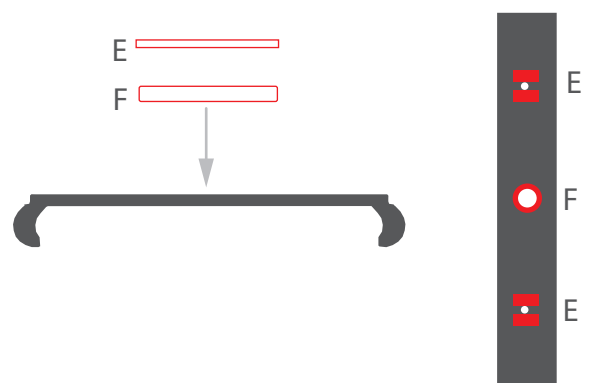
top view



2. Put on the cable gland (F) and the spacers (E) on the drilled holes.

cross-section

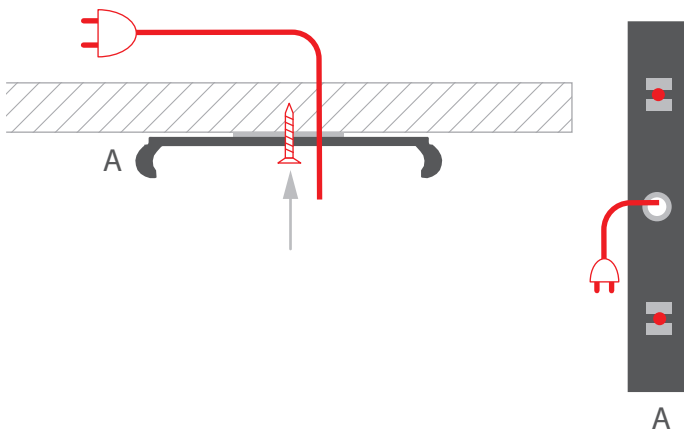
top view



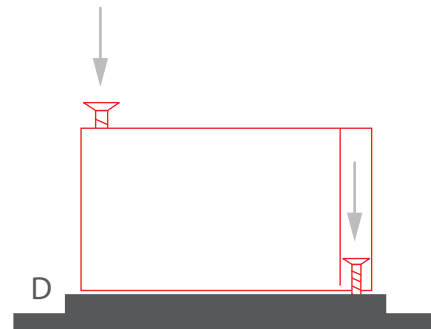
3. Fix the mounting strip (A) to the surface with screws suitable for the surface material. Run the cable out through the gland.

cross-section

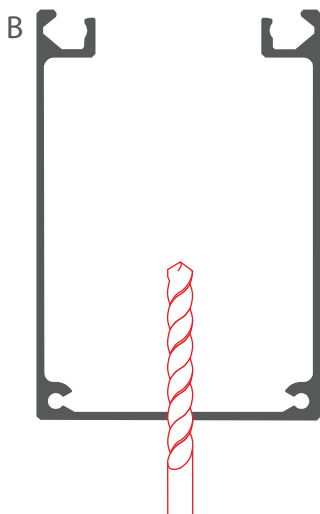
top view



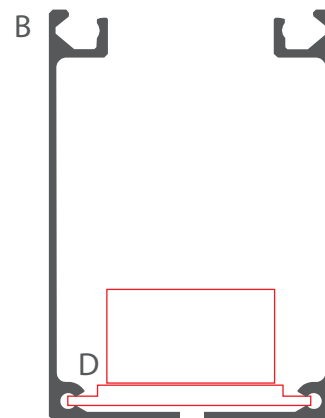
4. Attach the selected power supply bracket (D).



5. Drill holes in the extrusion (B) to install the conductive fasteners.



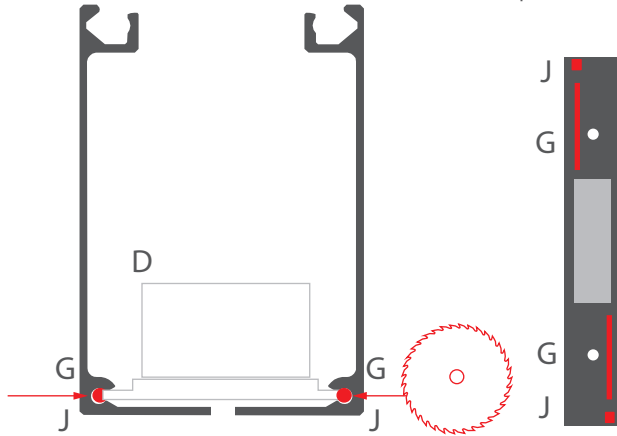
6. Insert the power supply bracket and the power supply (D) into the extrusion (B).



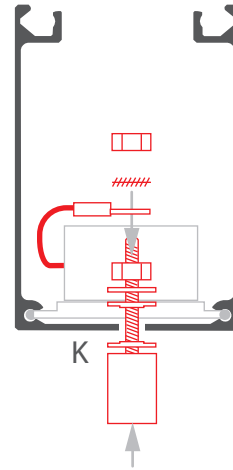
7. Secure the bracket (D) with the power supply by inserting one plastic rod dia. 2.4 mm (G) into the guides on each side. Cut the rods to the required length. Then secure the rods with M3 pressure screws (J) tightening them with the Allen wrench.

cross-section

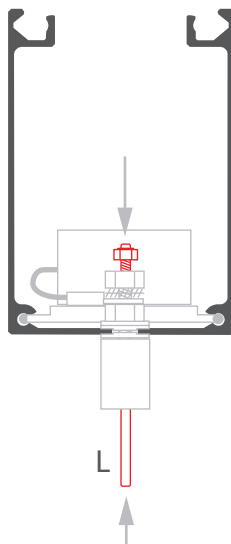
top view



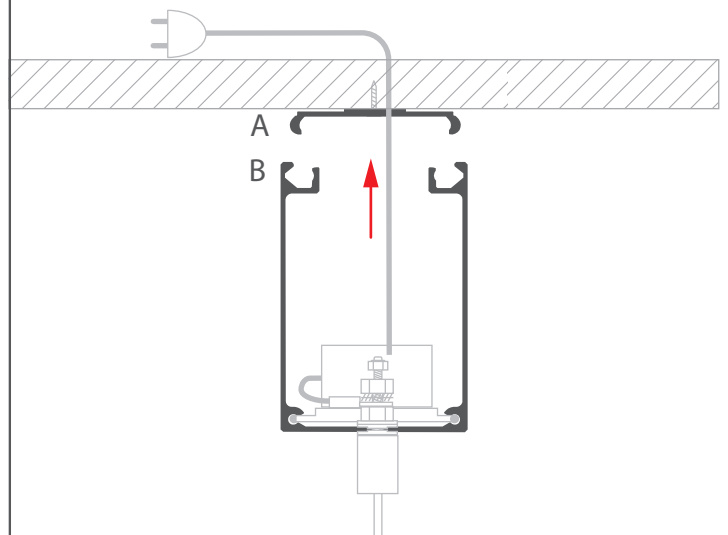
8. Mount the conductive fasteners (K) in the drilled holes and connect power (one pole to each conductive fastener). [Download the conductive fastener manual at klusdesign.eu](http://www.klusdesign.eu)



9. Mount the threaded rod (L).



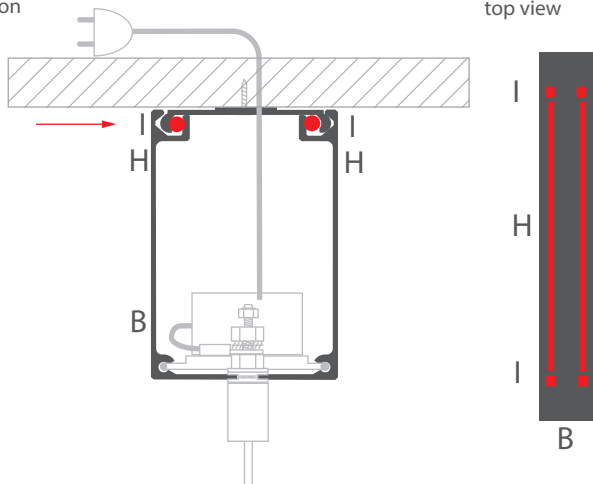
10. Snap the extrusion (B) onto the mounting strip (A) and connect power.



11. Secure the extrusion (B) against falling off by inserting the plastic rods dia. 4 mm (H) into the guides and tightening them with the M5 pressure screws (I), using the Allen wrench. Sink the pressure screws adequately so that there is room for end caps.

cross-section

top view



12. Put on the end caps.

cross-section

top view

